

***For Your Convenience: This Kubota  
File Is Shared By Diesel Parts Direct***



**YOUR ONE STOP SUPERSTORE FOR DIESEL ENGINE PARTS**

**SHOP NOW**



For North American Market

INDUSTRIAL DIESEL ENGINE

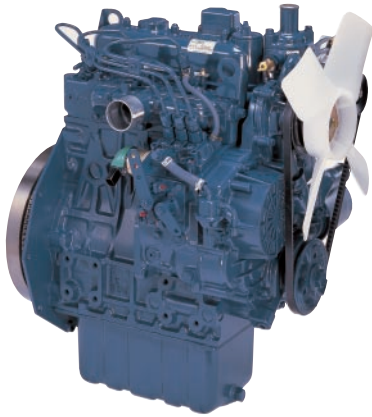
**KUBOTA 05 SERIES (3-cylinder)**

**D1005-E3B**



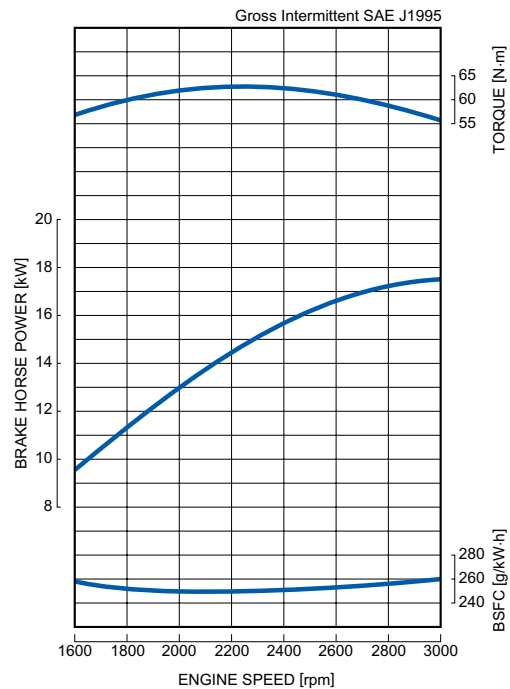
**RATED POWER**

**17.5kW@3000rpm**



Photograph may show non-standard equipment.

**PERFORMANCE CURVE**



**FEATURES and BENEFITS**

**Emissions**

- The D1005 engine complies with EPA Tier 4 emissions regulations. These are the most stringent emissions regulations in the world in this class.

**Durable Power**

- The Kubota 05 Series is an established leader in its horsepower range and has been the preferred power source of various industrial equipment manufacturers.
- The D1005 engine offers a seamless transition from Tier 2 to Tier 4 by maintaining the same footprint and hardware mounting points with only slight performance changes from the Tier 2 engine.

**Clean and Quiet Power**

- Kubota's original E-TVCS (Three Vortex Combustion System) has been improved. The combustion chamber and piston recess were optimized to achieve a 50% lower particulate matter (PM) level.

## GENERAL SPECIFICATION

Model		<b>D1005-E3B</b>
Emission Regulation		Tier 4
Type		Vertical 4-cycle Liquid Cooled Diesel
Number of Cylinders		3
Bore	mm (in)	76 (2.99)
Stroke	mm (in)	73.6 (2.90)
Displacement	L (cu.in)	1.001 (61.08)
Combustion System		IDI
Intake System		Naturally Aspirated
Maximum Speed	rpm	3000
Output: Gross Intermittent	kW	17.5
	hp	23.5
	ps	23.8
Direction of Rotation		Counterclockwise Viewed on Flywheel
Oil Pan Capacity	L (gal)	5.1 (1.35)
Starter Capacity	V-kW	12-1.2 [US] / 12-1.4 [EU]
Alternator Capacity	V-A	12-40
Length	mm (in)	497.8 (19.60)
Width	mm (in)	396.0 (15.59)
Height (1)	mm (in)	602.0 (23.70)
Height (2)	mm (in)	227.6 (8.96)
Dry Weight	kg (lb)	93.0 (205.0)

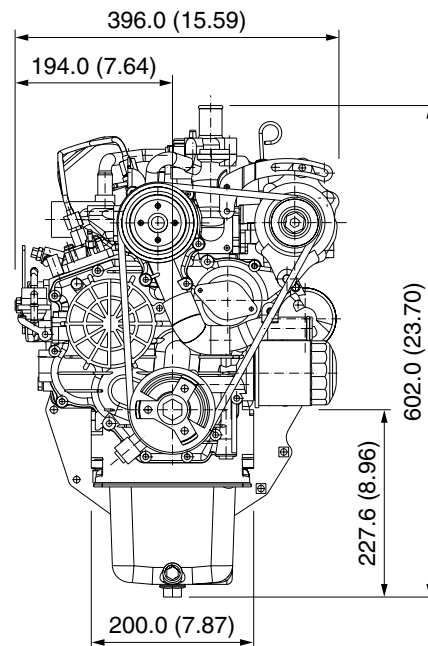
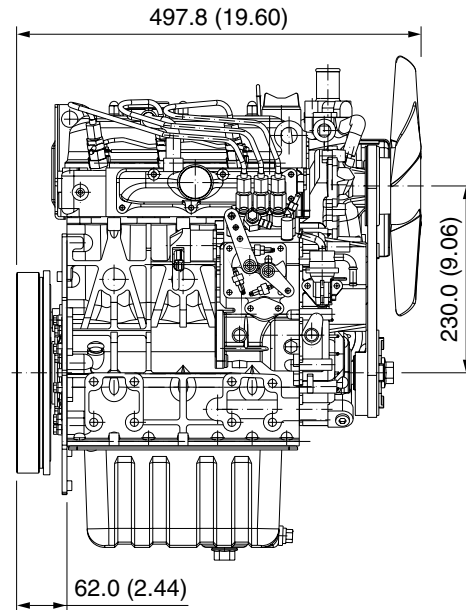
\*Specification is subject to change without notice.

\*Output: Gross Intermittent SAE J1995

\*Dry weight is according to Kubota's standard specification.

When specification varies, the weight will vary accordingly.

## DIMENSIONS



## KUBOTA Corporation

2-47, Shikitsuhigashi 1-chome, Naniwa-ku, Osaka, 556-8601 Japan  
Fax: 06-6648-3521

<http://www.engine.kubota.ne.jp>

Your Driving Force  
KUBOTA ENGINE